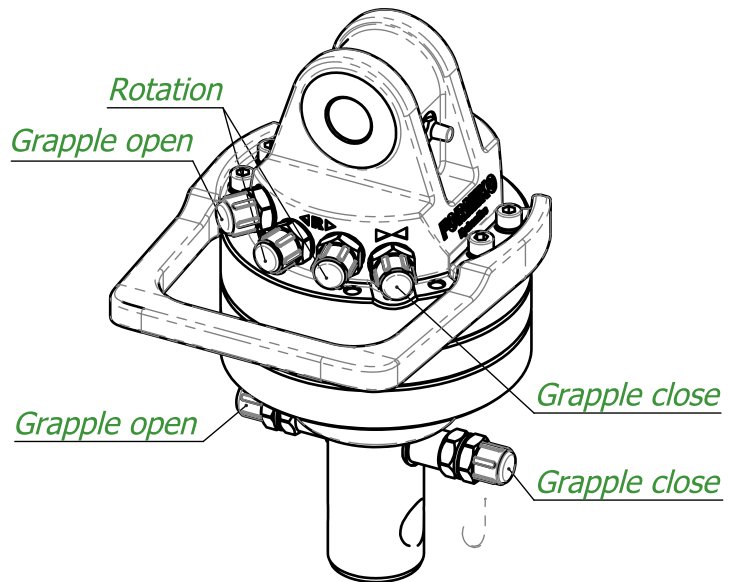
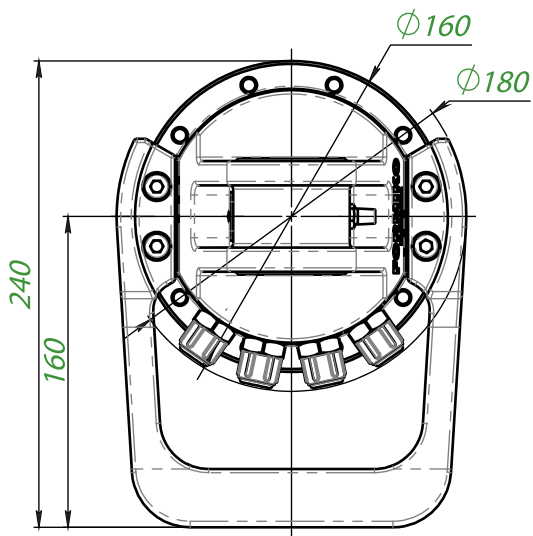
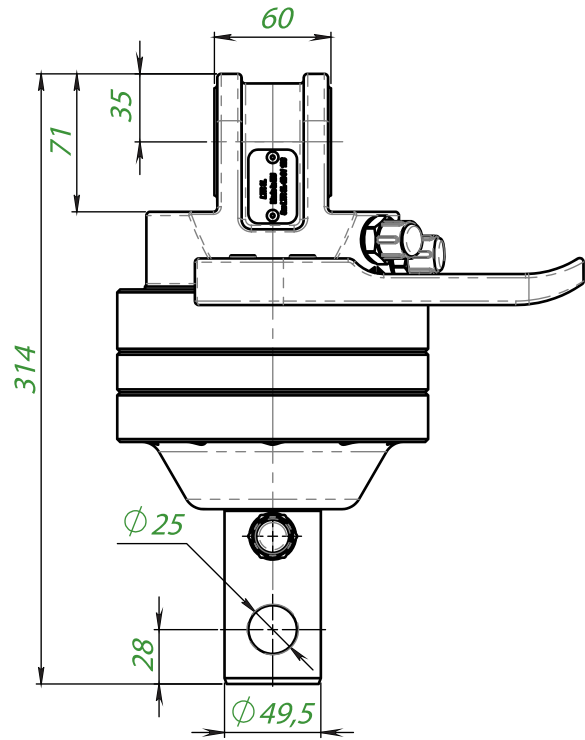
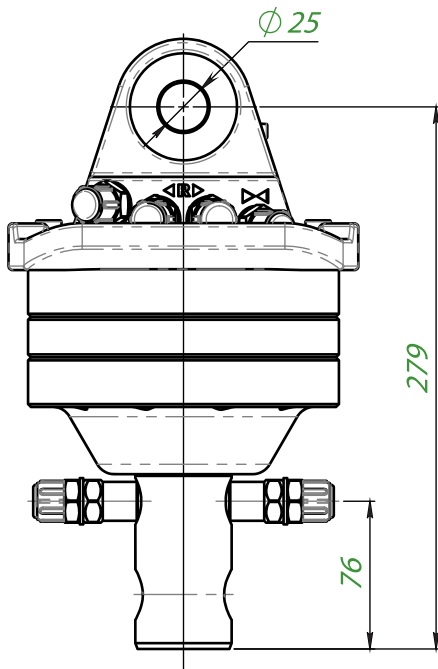


# Formiko Hydraulics

## FHR 3.000L



### Technical data:

Rotation	360
Max axial load static, KN	30
Max axial load dynamic, KN	15
Torque at 250 bar, Nm	900
Rec oilflow, l/min	20
Weight, kg	20

### Maximal working pressure:

Rotation	Max 250 bar
Grapple close	Max 200 bar
Grapple open	Max 300 bar

### Connection:

Rotation	Max 250 bar	G 3/8"
Grapple close	Max 200 bar	G 3/8"
Grapple open	Max 300 bar	G 3/8"



**FORMIKO**  
HYDRAULICS